

Our guide to hanging your new curtains

We want you to love our curtains as much as we do. Follow these instructions and you'll hang your new curtains like a professional in no time at all!

Eyelet curtains

These curtains will be up in a jiffy!

Feed each eyelet over the pole; make sure that the leading and outside edge of the curtain point inwards towards the window. Position the finial eyelet between the bracket and the finial.

There you go, all done, and relax ...



Pinch pleat curtains

Pinch pleat curtains are already pleated for you so they will be hanging and looking lovely in next to no time.

Decide the position of the hooks

All you really need to do is decide where to position the hook that sits at the back of the pleat.

If you have a pole then glide the hook to the top of the heading, this will make sure your curtain hangs below the pole. For curtain tracks, position the hook towards the middle so that the heading will cover the track.



Zip-hook

These simply slide down the guide to the position you need. If you go too far, just slot the hook back on at the top of the guide to start again.

Metal hook

To reposition the hook, pull the hook down to remove it and push it back into the heading tape behind each of the pleats at the new position.

Please handle with care, metal hooks are very sharp.

Hanging your new pinch pleat curtains

Make sure that you have the same number of track gliders or pole rings as you have pleats and then simply hook through.

If you have a curtain pole attach the final curtain hook between the bracket and the finial and for a curtain track attach it to the fixed glider at the end. All done, sit back and relax ...

Pencil pleat curtains

If you've never hung pencil pleat curtains before then we've made these instructions really detailed to help you. Rest assured though it's common sense, not rocket science! The key thing is to just take your time ...



Tying the cords

Tie the cords before you gather! You will need to tie the cords at one end of the heading tape. If you don't do this when you start to gather the curtain the heading tape will unravel and this is never a good thing! Most people like to tie the curtains off at the leading edge, i.e. the edge that will meet the other curtain in the middle.

(Oooops! In the unlikely event that you do accidentally unravel the heading tape then get a tapestry needle to re-thread the cords through the holes.)

Check the width

Before you start to gather, grab a tape measure and check the width that the curtain needs to be. It's worth gathering the curtain to a few centimetres wider than you actually need so that there's no need to yank each side of the curtain to get them in the middle once they are hung!

Gathering

Take hold of the loose cords at the un-tied end and start to pull them. Pull the cords evenly so that the pleats will be nice and straight.

Top tip: It can be easier to check the evenness of the pleats by looking at the heading tape rather than the actual pleats in the curtain.

Tie the curtains off

Once you're happy with the width of the curtain, tie the cords. Don't cut the cords though in case you want to loosen the curtain for cleaning or maybe to hang at a different window.

So that the long cords don't keep peeping out at you, wind them up over your hand and loosely tie. Some people attach the cords to the lining with a safety pin to really keep them hidden.

Inserting the hooks

At this point take the time to make sure your gathers are nice and even, it takes a little patience but we promise it will be worth it.

Count the number of gliders or rings that you have on your track or pole and then divide by half. This is the number of hooks that you need to attach to each curtain.

before you put the hooks in the pockets it's worthwhile placing them loosely on top of the heading tape. An even distance between the hooks makes all the difference and will give your curtain a professional edge. Make sure that you place a hook on the outside edge of the curtain and consider the position of the hook on the leading edge too. Place it so that you can achieve a nice 'overlap' with the other curtain when they are closed.

The heading tape has three rows of pockets. For curtain tracks you will need to insert the hooks into the low or middle row of pockets so that the heading hides the track. For poles insert the hooks into the top row of pockets so that the curtain hangs below the pole. Just make sure you insert the hooks into the pockets rather than onto the cords!

Now just pop the hooks into the pockets on your chosen row.

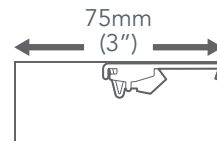
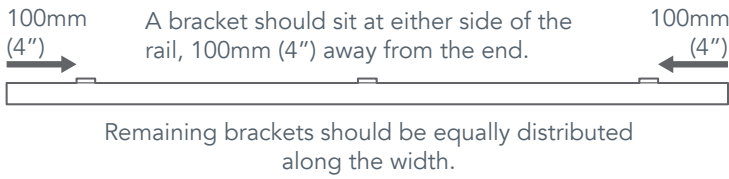
You're all set to hang your curtains (the easy bit!)

You're on the finishing straight.

It can be easier to hang curtains with a helping hand who can hold the weight of the curtains while you attach them. If you've gone to all the trouble of creating perfect pleats, the last thing you want them to do is move if the curtain hangs in mid-air for a while!

If you have a curtain pole, attach the final curtain hook between the bracket and the finial, and for a curtain track attach it to the fixed glider at the end.

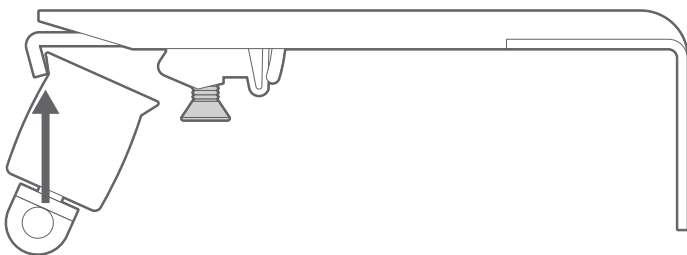
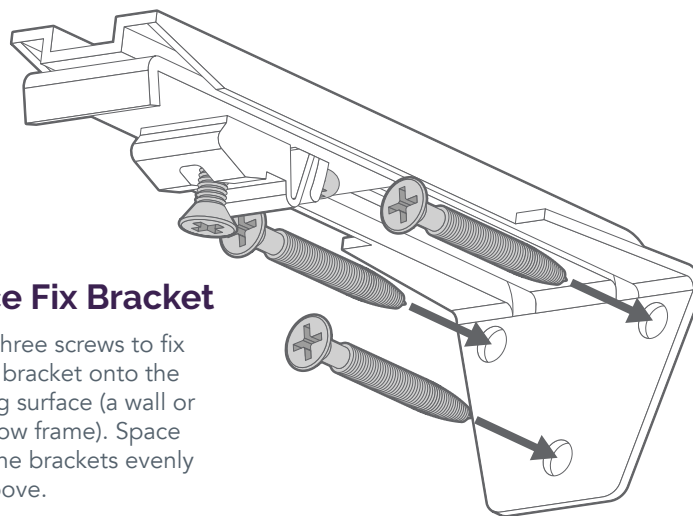
Before you begin



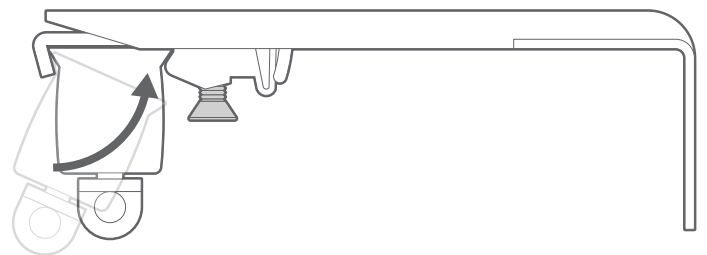
If you are using top-fix brackets, the front edge of the bracket must be at least 75mm (3") away from the facing surface behind the rail. This will ensure that the waves in the fabric do not brush against the wall or window behind.

Installing the brackets and fitting the rail

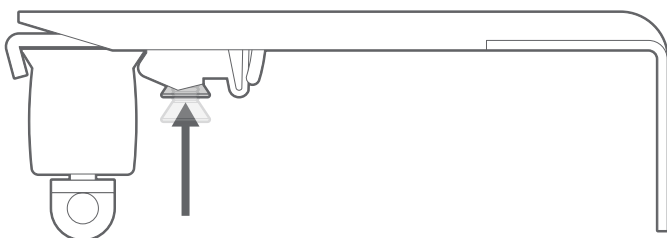
1



Locate the front lip of the curtain headrail into the front hook of the bracket.



Rotate the headrail so that the back lip slots into the locking part of the bracket, then tighten the bracket screw to secure the rail in place.



Tighten the locking screw in the bracket to lock the rail in place.

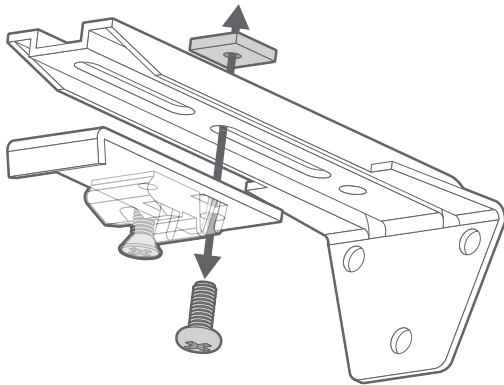
Top-Tip:

The depth of the bracket is adjustable, allowing the track to be closer to or further from the fixing surface. Loosen the screw at the back of the top section, slide the section backwards or forwards to adjust, then tighten the screw to lock.

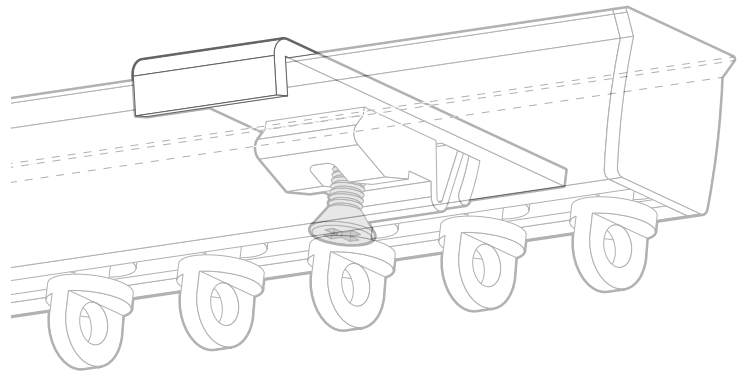


Installing the brackets and fitting the rail

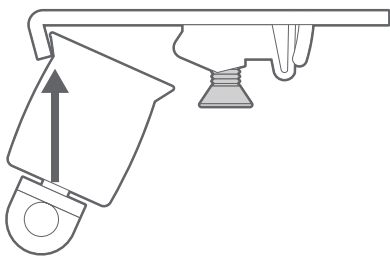
TopFix Bracket



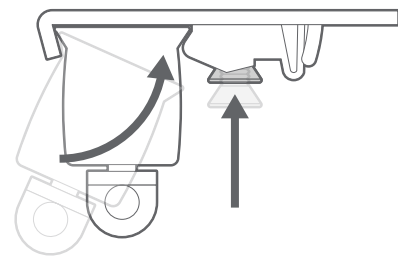
Detach the top fix section of the bracket from the L-shaped face fix section.



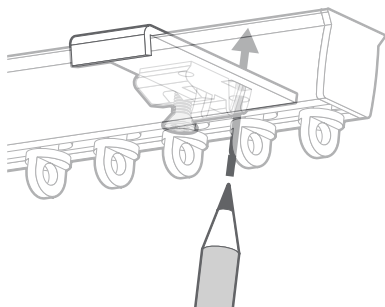
Clip the brackets onto the rail, spaced out as per step 1.



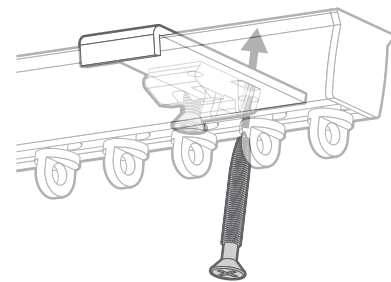
To do so, locate the front lip of the curtain headrail into the front hook of the bracket.



Rotate the headrail so that the back lip slots into the locking part of the bracket, then tighten the bracket screw to secure the rail in place.



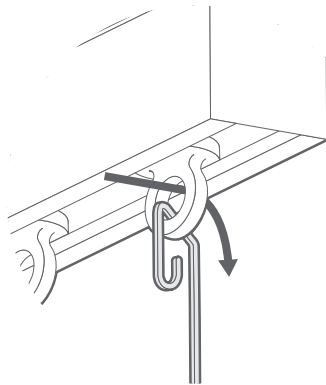
Next, hold the rail up to the fitting surface and mark out the screw holes with a pencil.



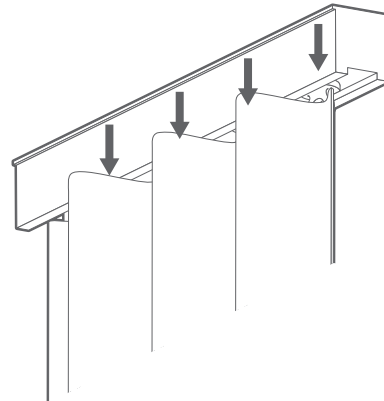
Drill a hole at each mark and insert rawl plugs. Then, hold the rail and brackets up and screw the brackets into place. Use a single screw for each bracket, through the rearmost screwhole.

Hanging your curtains

2



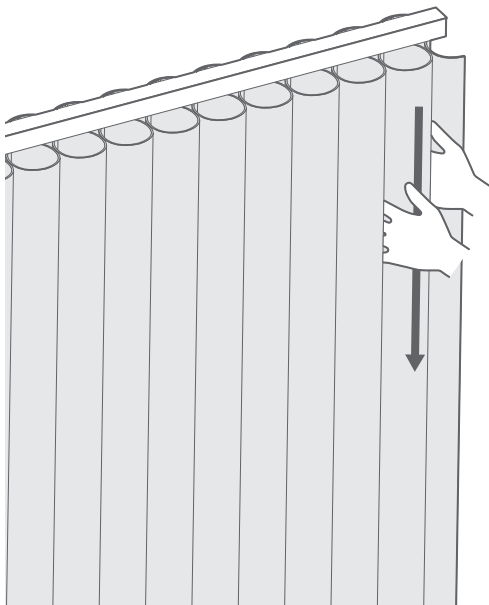
Insert the hooks into the plastic eyelets in the headrail.



Continue until all of the hooks are inserted, then enjoy your beautiful new curtains!

Dressing your curtains

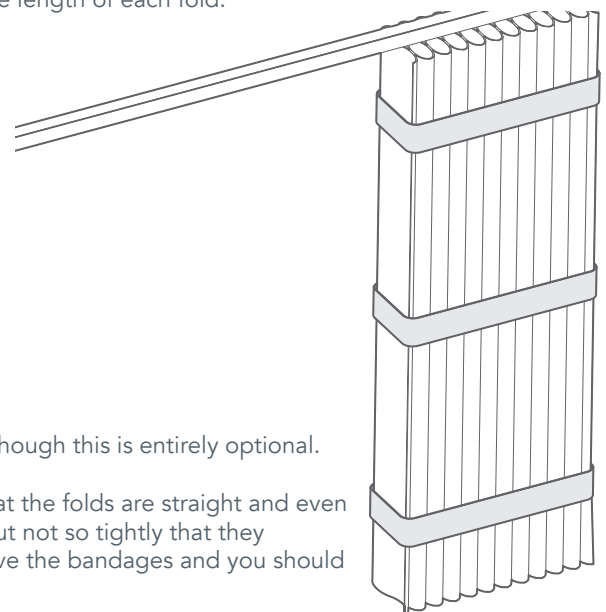
3



As curtains are a soft fabric product, a little dressing is sometimes required to finish the installation perfectly.

'Stack' the curtains over to the sides and check that the folds are all even in size and shape.

Starting from the outside edge, work from the top downwards and run your hands firmly down the length of each fold.



For a really professional finish, you can even 'bandage' the curtains, though this is entirely optional.

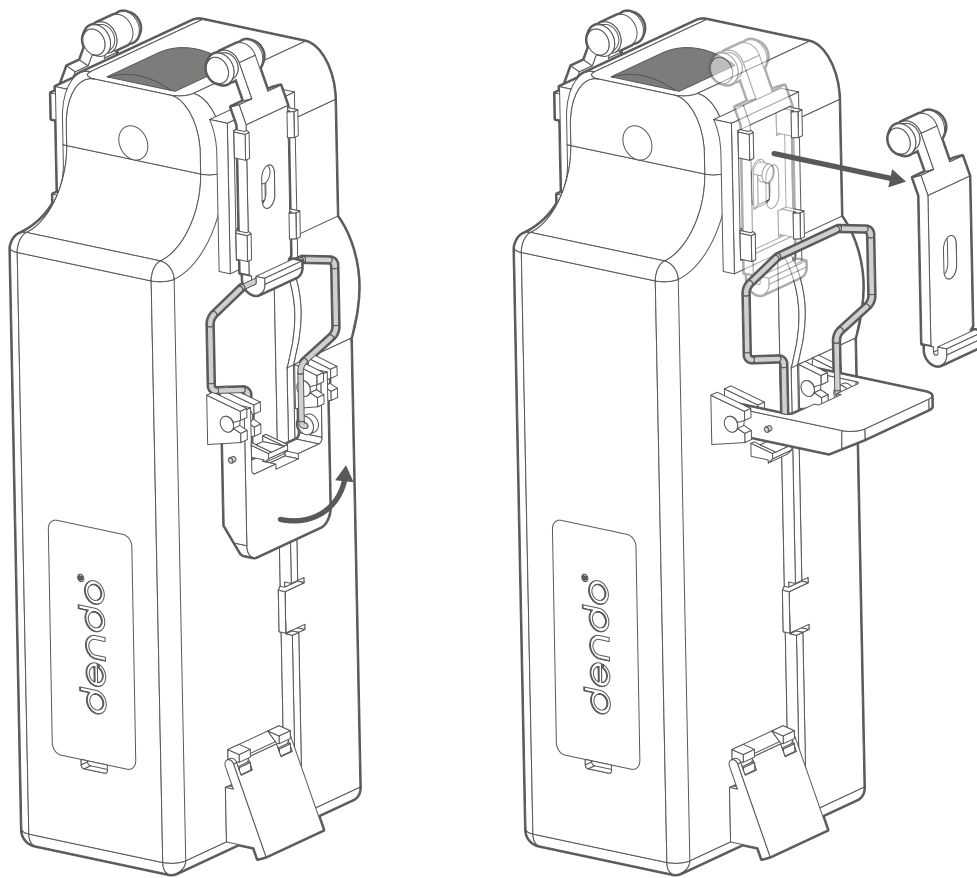
Wrap several runs of spare fabric around the curtains, making sure that the folds are straight and even as you do so - wrap them tightly enough to hold the folds in place, but not so tightly that they squeeze the fabric. Leave them bandaged for 2 or 3 days, then remove the bandages and you should find the folds are perfect.

Top-Tip:

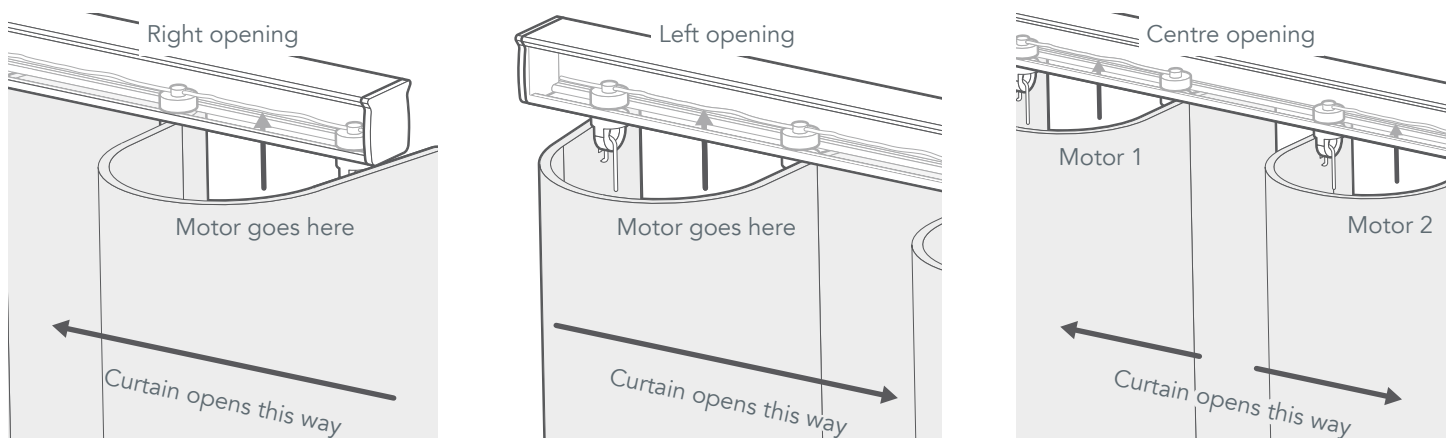
When you first unpack your curtains they may be quite creased - this is normal, as they've been folded and packed for transit. These creases will hang out over time and we recommend leaving them to do so. If you have access to an upright steamer though, you can try lightly steaming the fabric (on a low setting) to encourage those creases to drop out faster.

Hook the motor into the curtain rail

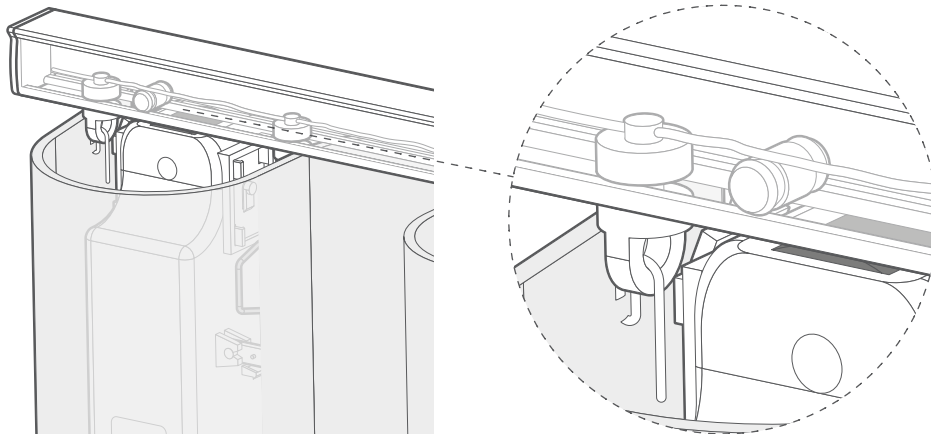
1



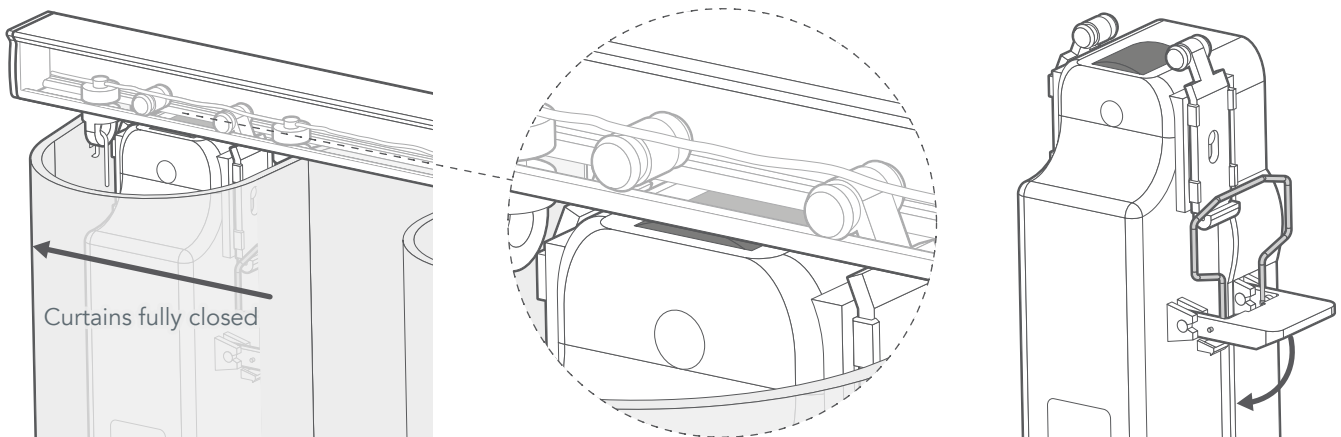
Start by unclipping one of the runners from the top of the motor. Lift the retaining clip then simply pull the runner free of its mounts on the side of the motor.



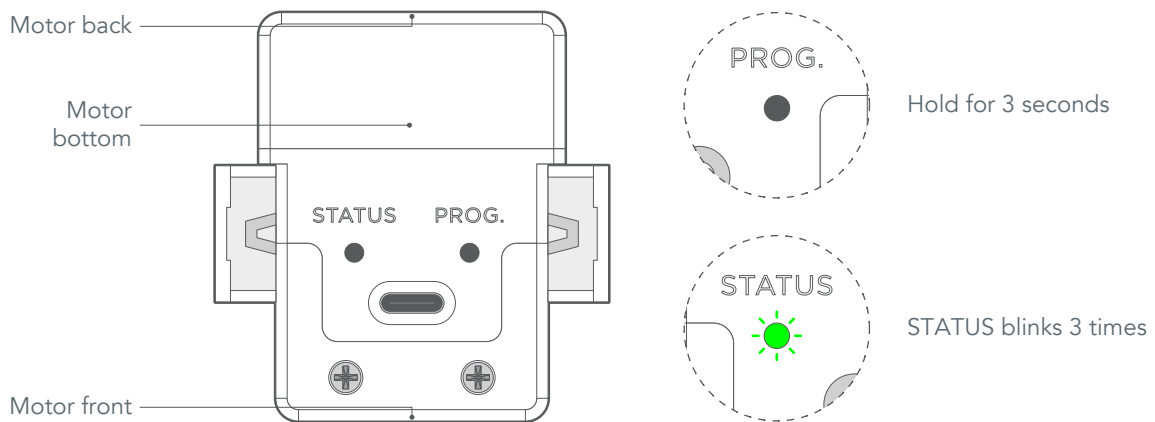
The motor will fit into the rail between the two outermost eyelets that the curtains are hooked onto, behind the curtains. For centre opening curtains you'll fit 2 motors, 1 behind each of the innermost eyelets. **The motor should be fitted whilst the curtains are closed.**



Lift the motor up behind the curtains and hook the runner that's still attached into the channel on the underside of the curtain rail.

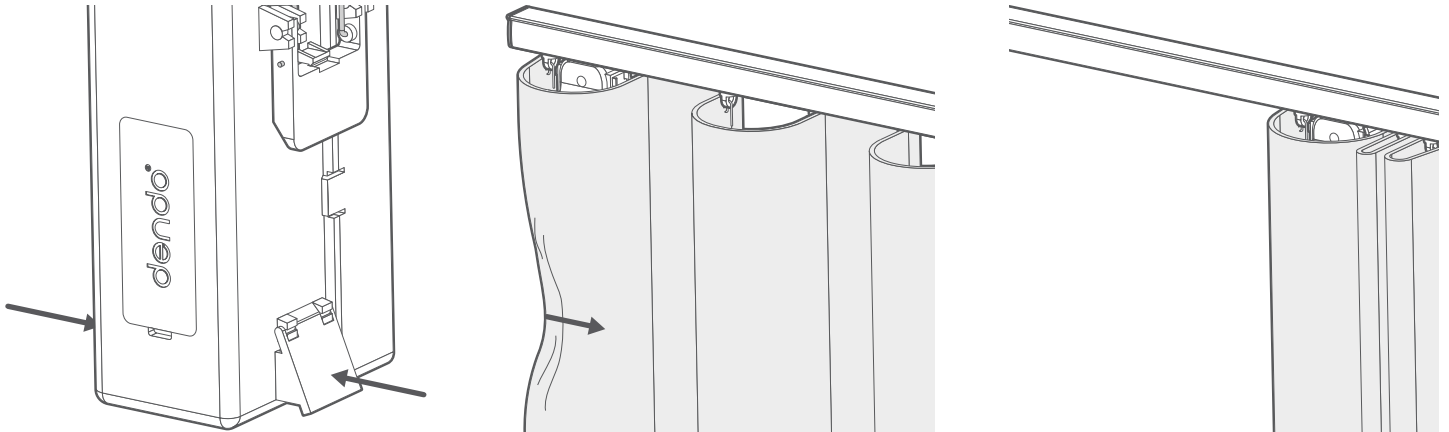


Take the runner you detached and hook it into place in the rail just as before, then clip it back into its mount on the side of the motor. Push the motor and curtain along the rail so that the curtains are in their fully closed position before locking the retaining clips on the sides of the motor.



The motor is in its 'deep sleep' state when it is sent to you and will not operate until it is removed from this state. To do so, simply press and hold the PROG. button on the bottom of the motor for around 3 seconds, until the STATUS light blinks 3 times. The motor is now operational.

To return the motor to its deep sleep state at any time, simply press and hold PROG. for 3 seconds until the STATUS light blinds 3 times.

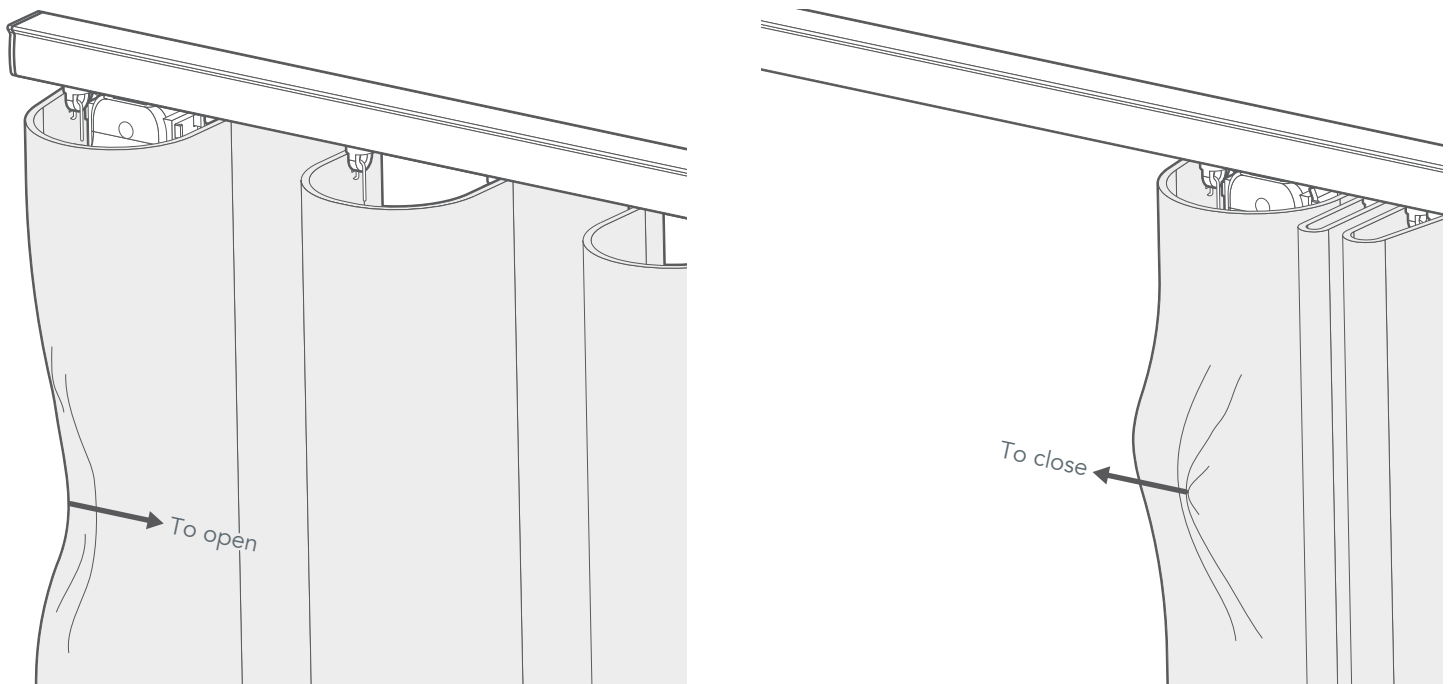


Whilst the curtains are in their closed position, reach up behind the fabric and press and hold both of the paddles on the sides of the motor at the same time, until the motor 'jogs' back and forth briefly. This has set the fully closed 'stop-point' position of the motor.

Then, give the leading edge of the curtain a brief pull as though opening it - the motor will detect the movement and engage, moving along the track until it has pulled the curtains fully open. The motor will stop automatically when it detects that the curtains are fully open, and this will set the fully open 'stop-point' position of the motor.

Using the motor manually

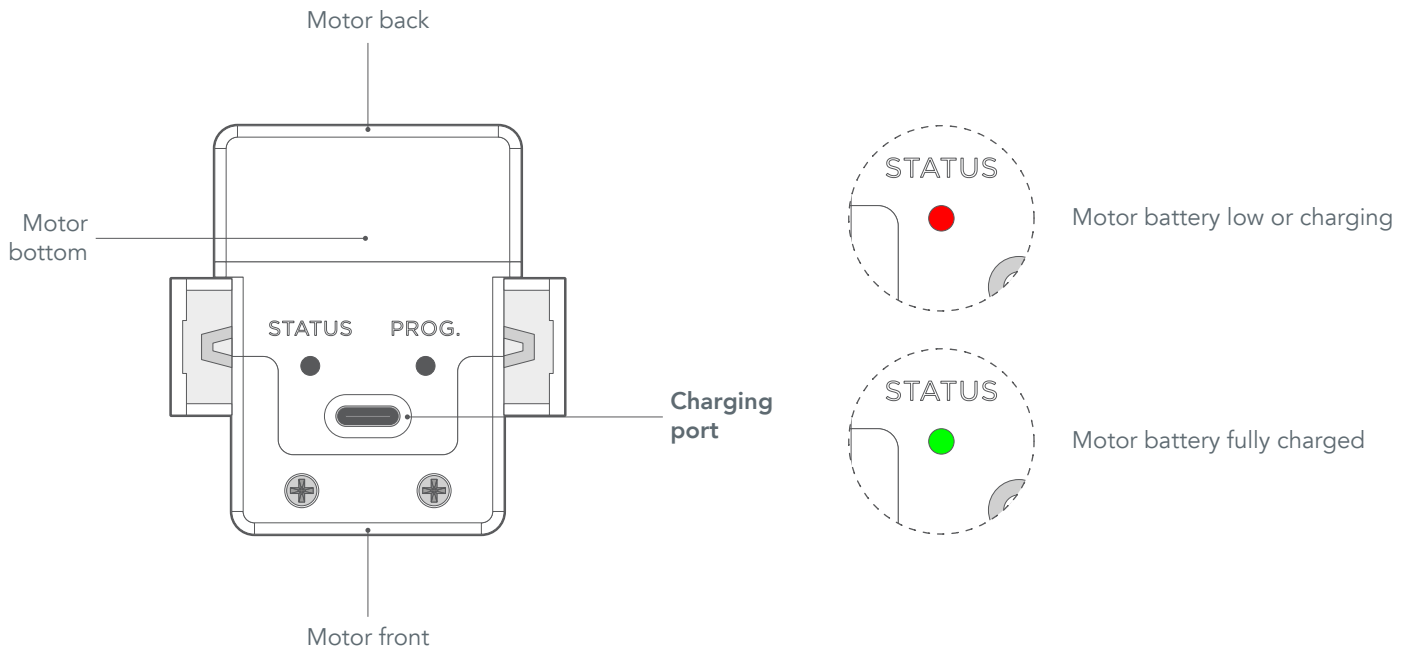
2



To open the curtains once the motor is installed, simply take the leading edge of the curtain and give it a sharp but gentle pull in the direction you want the curtain to open. The motor will detect the movement and engage, opening the curtain until fully open. To close the curtains, simply pull the leading edge of the curtain in the opposite direction.

Charging the motor

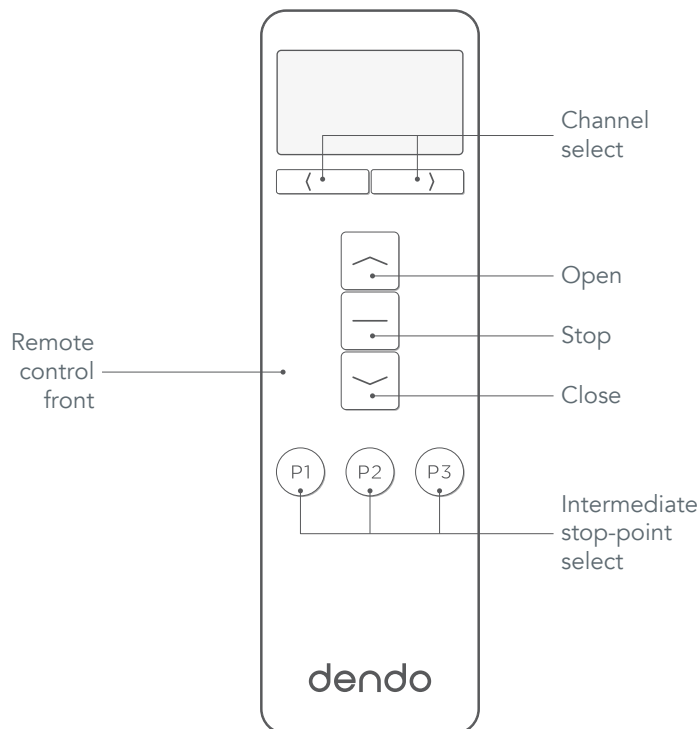
3



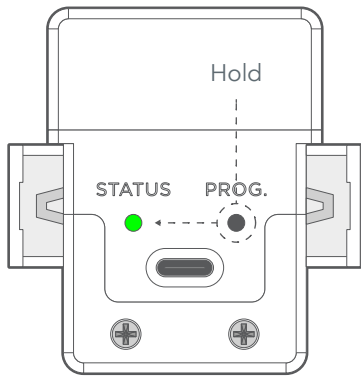
The motor has a USB-C charging port on the bottom. To charge the motor's battery, simply plug the charging cable into the charging port. A full charge typically takes around 8 hours if the battery is fully depleted. Whilst charging, the STATUS light on the bottom of the motor will glow red, then change to green when fully charged.

Programming and using a remote control

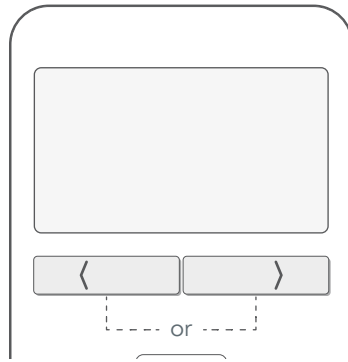
4



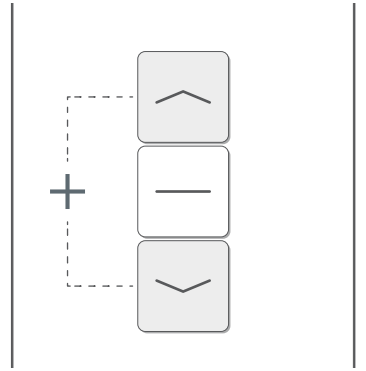
Pairing a motor with the remote control



On the bottom of the motor, press and hold the PROG. button until the STATUS light turns green.

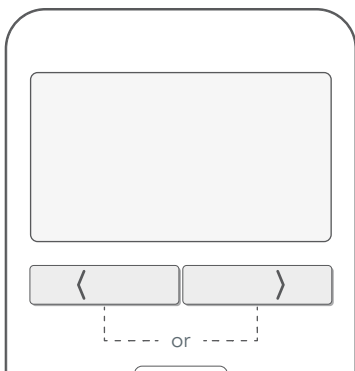


Use the channel select buttons on the remote control to select a channel to which you'd like to pair the motor.

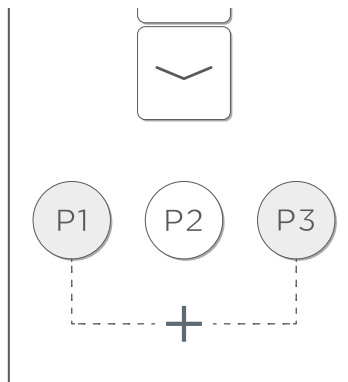


Hold the OPEN and CLOSE buttons on the remote at the same time until the motor 'jogs' briefly.

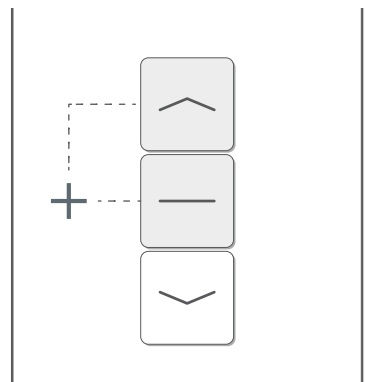
Deleting a motor from one remote channel



Select the channel you'd like to delete the motor from.

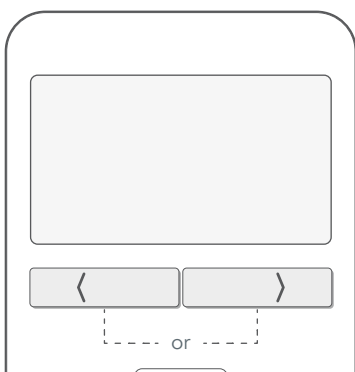


Press and hold the P1 and P3 buttons together until the motor 'jogs'. The motor is now in configuration mode.

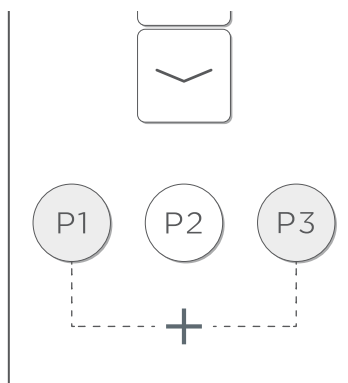


Hold the OPEN and STOP buttons until the motor 'jogs'. The motor is now deleted from that channel.

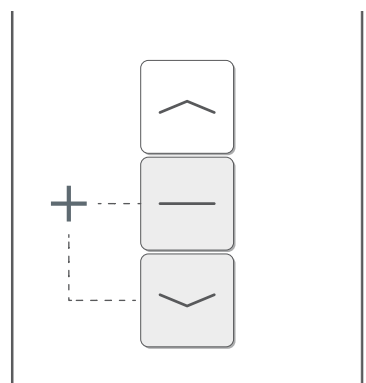
Deleting a motor from all channels and remote controls



Select any channel to which the motor is currently paired.

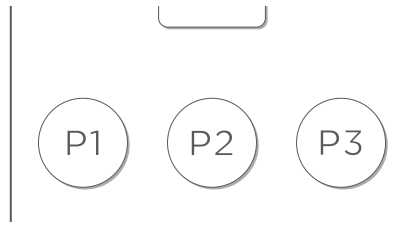


Press and hold the P1 and P3 buttons together until the motor 'jogs'. The motor is now in configuration mode.

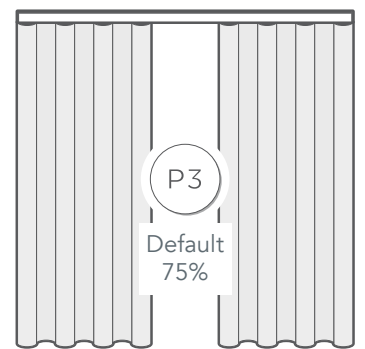
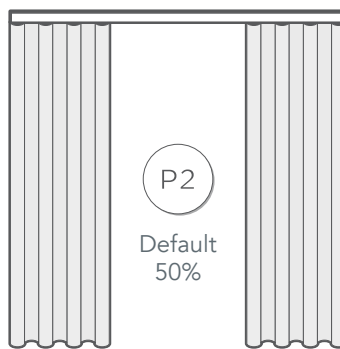
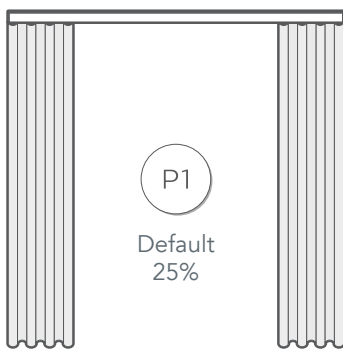


Hold the CLOSE and STOP buttons until the motor 'jogs'. The motor is now deleted from all channels.

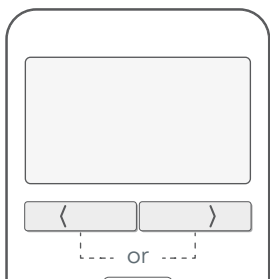
Intermediate stop-points



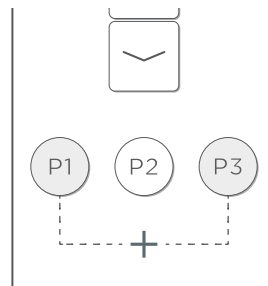
The motor can be set to automatically move the curtains to other positions besides fully open or closed. Default 'intermediate stop-points' are paired to the P1, P2 and P3 buttons on the remote control automatically.



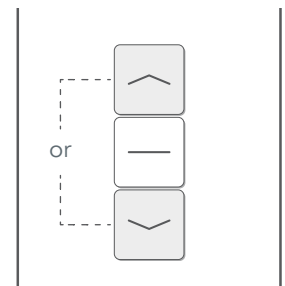
By default, pressing P1 will move the curtains to 25% closed, P2 to 50% closed and P3 to 75% closed, but these positions can be changed if preferred.



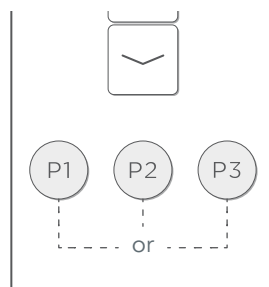
Select the channel/motor for which you want to set the new intermediate stop-point.



Press and hold the P1 and P3 buttons together until the motor 'jogs'. The motor is now in configuration mode.



Use the OPEN or CLOSE buttons to move the curtains to the desired position.



Press and hold either P1, P2 or P3 until the motor 'jogs'. The new intermediate stop-point is now set to that button.



Press and hold the STOP button until the motor 'jogs' to exit configuration mode.