



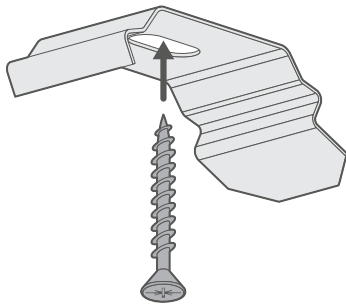
We've made a handy video version of this fitting guide, just click the play button to view it.

If you prefer to print the instructions or simply to follow step-by-step, just keep reading.

Fitting the brackets

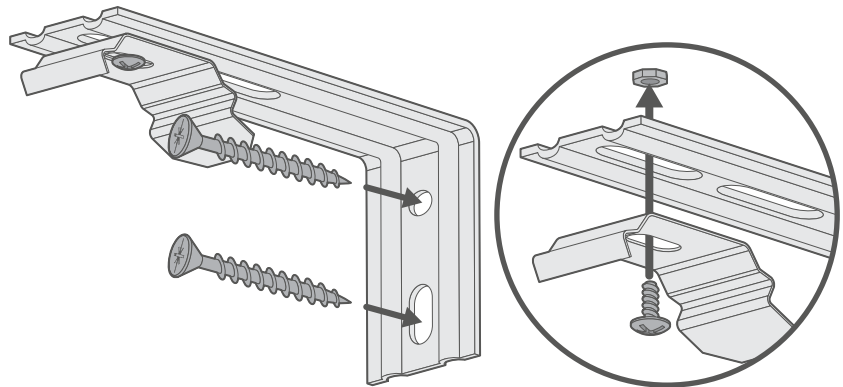
1

The brackets offer two methods of installation:



Top-Fixing

Where the brackets are screwed into the lintel (or 'ceiling' of the recess)

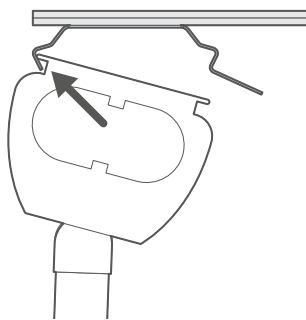


Face-Fixing

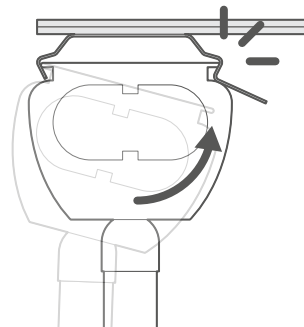
Where the brackets are screwed onto a facing surface (a wall or window frame)

Fitting the track

2



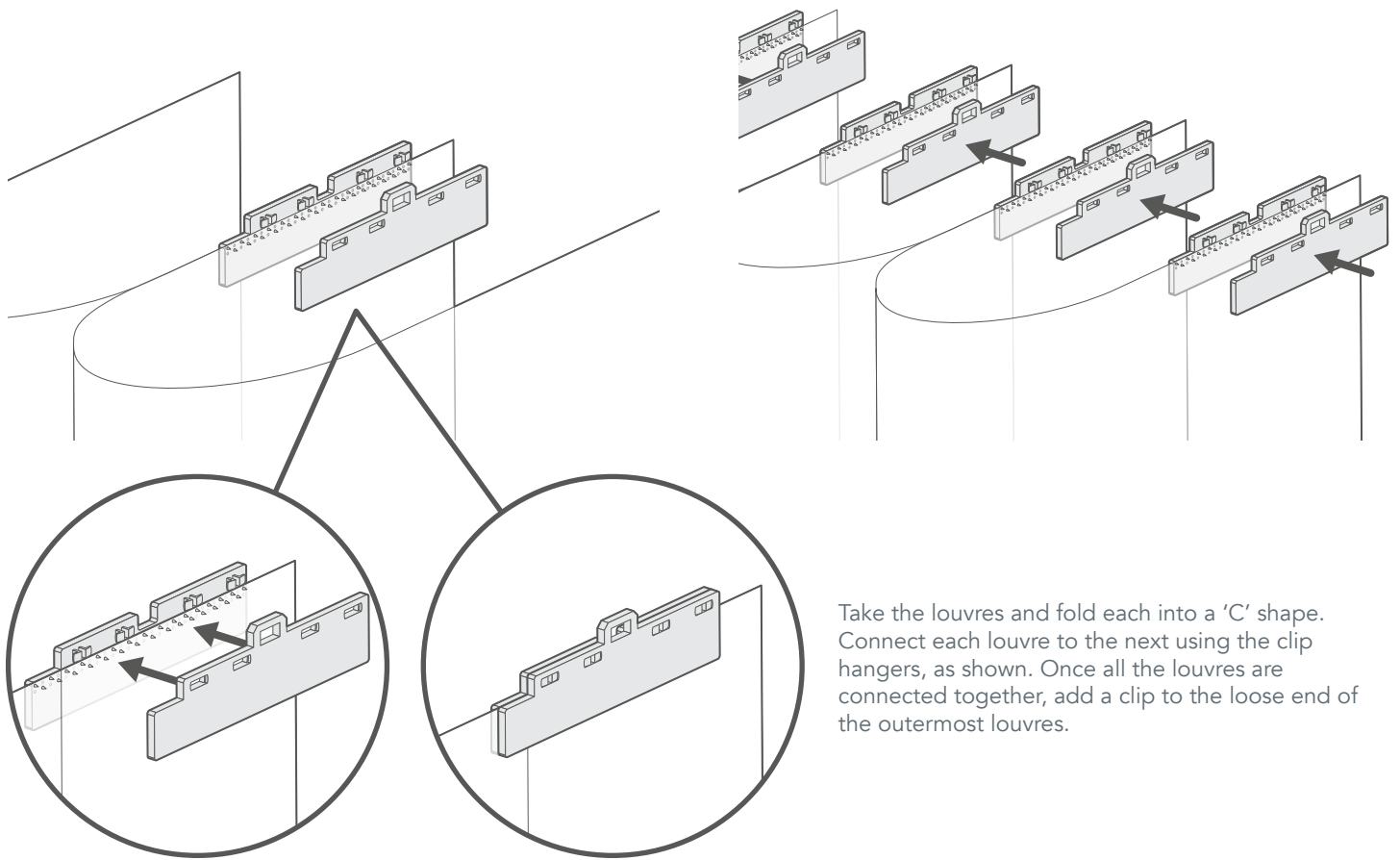
Rest the front lip of the headrail in the front lip of the bracket.



Then twist the back of the headrail upwards until it snaps into place in the rear hook of the bracket.

Attaching the fabric to the hangers

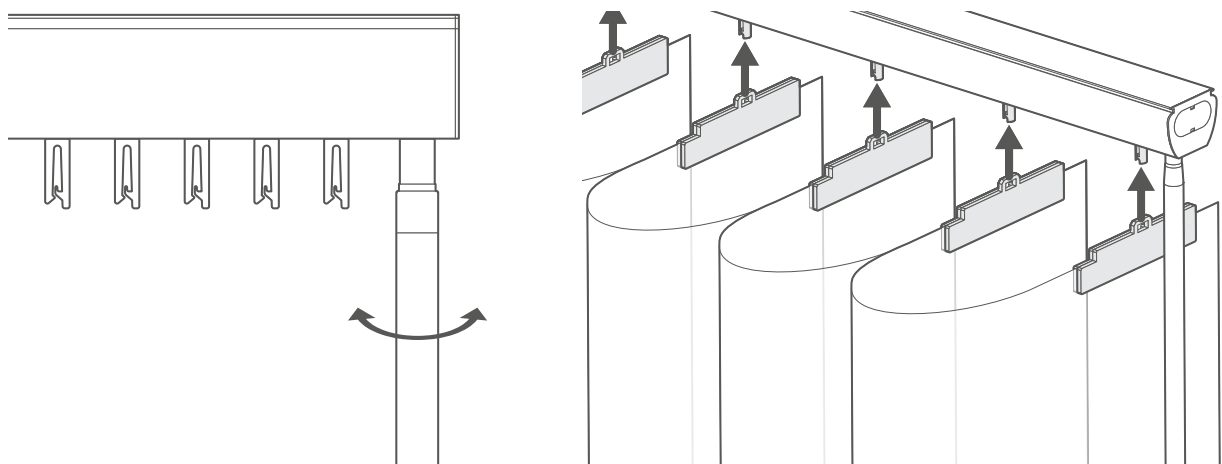
3



Take the louvres and fold each into a 'C' shape. Connect each louvre to the next using the clip hangers, as shown. Once all the louvres are connected together, add a clip to the loose end of the outermost louvres.

Hanging the fabric

4



Twist the control wand to turn the hooks so that their 'open' part is facing into the room.

Take the connected louvres and click the hangers into the hooks on the headrail, working along from one end to the other.